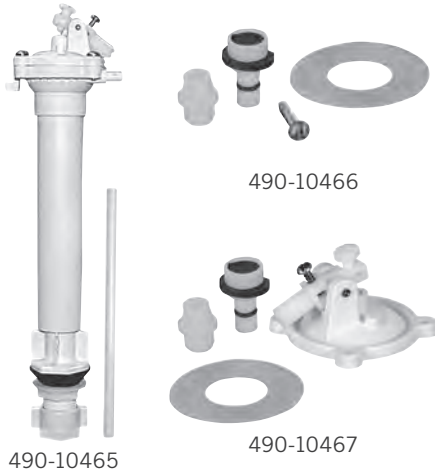


PLUMBING

GAS

TOOLS



Anti-Siphon Ballcock

- 8½" Hoov-R-Line† Replacement
- Rebuild kit includes spare screw (reuse original brass screws when repairing)
- Conforms to ASSE 1002

Item No	Description	Pkg	Min Qty	Case Qty
490-10465	8½" anti-siphon ballcock assembly	B	1	12
490-10466	Ballcock rebuild kit, includes 1 spare screw	B	1	12
490-10467	Ballcock top assembly kit	B	1	12

† Indicates the part was not made by original manufacturer, but manufactured to the same specifications as original part.

APPENDIX



Plastic Flush Valve

- Complete replacement plastic flush valve with flapper
- Blue vinyl chemical-resistant flapper
- Stainless steel chain

Item No	Description	Pkg	Min Qty	Case Qty
490-11150	8" flush valve with chemical-resistant flapper	B*	1	12
490-11151	10⅝" flush valve with chemical-resistant flapper	B*	1	12
490-11152	Gasket only for 490-11150	B	5	25



American Standard† Flush Valve Seal

- For American Standard† (N-3055)

Item No	Description	Pkg	Min Qty	Case Qty
490-10320	Flush valve replacement seal	B*	1	50

† Indicates the part was not made by original manufacturer, but manufactured to the same specifications as original part.